



5436 W Crenshaw Street
Tampa, FL 33634
www.digital-watchdog.com
Technical Support : 1-866-446-3595/813-888-9555

INSTRUCTION MANUAL

D2372TIR Series

About manual

Before installing and using the camera, please read this manual carefully.
Be sure to keep it handy for future reference.



PRECAUTIONS

- Do not open or modify
Do not open the case except during maintenance and installation, as it may be dangerous and cause damages.
- Do not put objects inside the unit
Make sure that no metal objects or flammable substances get inside the camera. It could cause fire, short-circuits or damages.
- Be careful when handling the unit
To prevent damage, do not drop the camera or subject it to strong shock or vibration.
- Install away from electric or magnetic fields
- Protect from humidity and dust
- Protect from high temperature
Be careful when installing close to the ceiling , in a kitchen or boiler room, as the temperature may rise to high levels.
- Cleaning
Dirt can be removed from the case only by wiping it with a soft cloth moistened with a soft detergent solution.
- Mounting Surface
The mounting surface material must be strong enough to support the camera.

TROUBLESHOOTING

Before sending the camera out for repair, check the items below.
If the problem persists after checking these items, contact your service center.

■ If no image appears

- Is the coaxial cable attached securely?
- Are the power and voltage normal?
- Has the iris of the lens inside the camera been adjusted correctly (with the level volume) ?
- Is there adequate illumination?

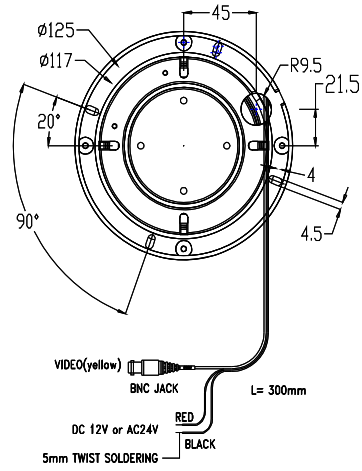
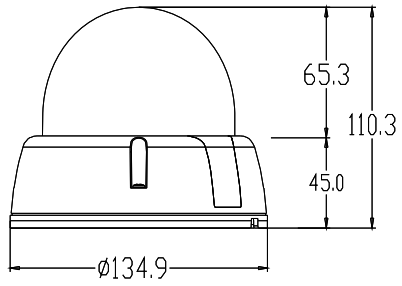
■ If the image is unclear

- Is the lens in focus?
- Is the lens dirty?
Dirt or fingerprints on the lens can adversely affect the images. Gently wipe any dirt or fingerprints off the lens with a soft cloth or lens cleaning paper and cleaning fluid (commercially available).
- Is the monitor adjusted correctly?

WARNING:

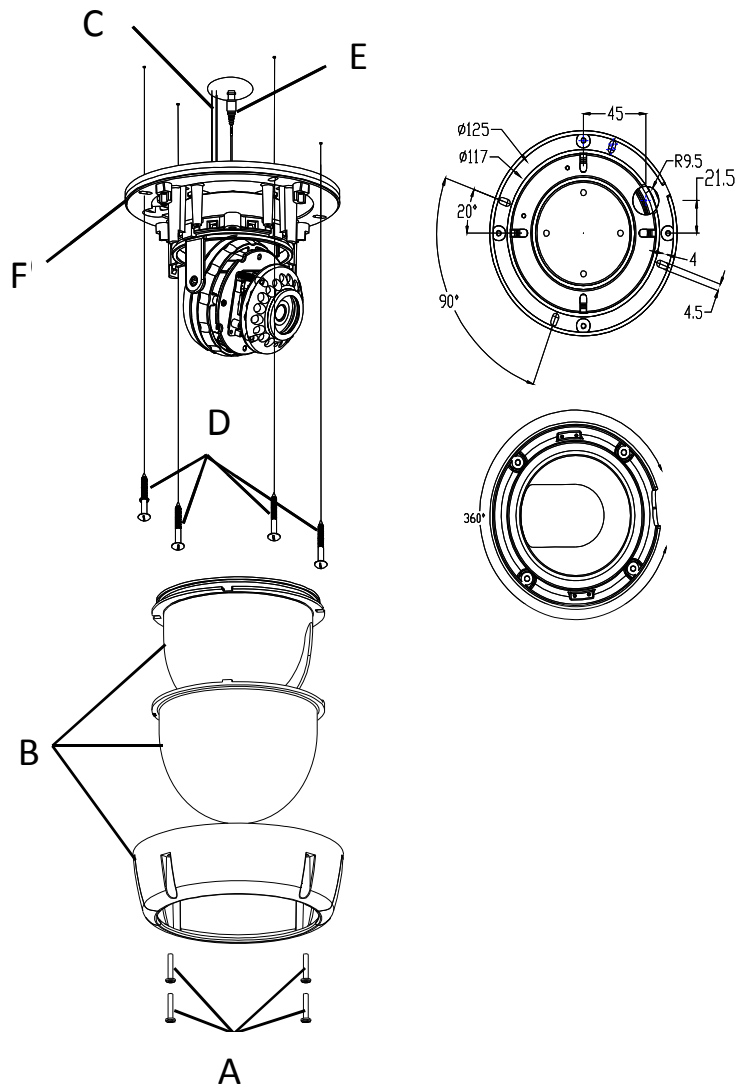
TO PREVENT THE RISK OF FIRE OR ELECTRIC SHOCK, DO NOT EXPOSE THIS APPLIANCE TO RAIN OR MOISTURE.

DIMENSION (mm)



D2372TIR Series

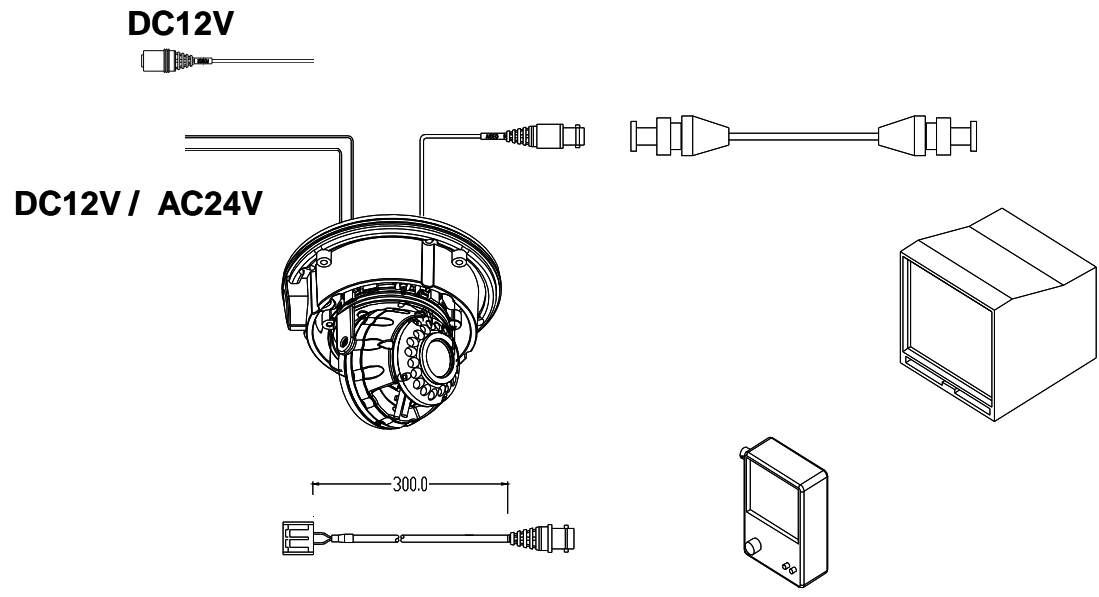
INSTALLATION



INSTALLATION (cont.)

- A. Loosen the fixing screw using the L-wrench that came with the camera
- B. Separate the upper case and the base case.
- C. Cut a hole in the ceiling for routing the cables.
- D. Place the camera horizontally on the ceiling, drill the screw holes at the marked four positions.
- E. Pass the power cable and video cable from the camera unit through the cable hole in the ceiling.
- F. Align the screw holes of the camera unit with the holes in the ceiling, secure with the four screws.
- G. Install and adjust the camera unit.
- H. Adjust the dome liner to show the lens through the camera window and attach it to the base.
- I. Put the upper case and the base together.
- J. Tighten the screws with the L-wrench for the upper and base not to be separated .

CONNECTION



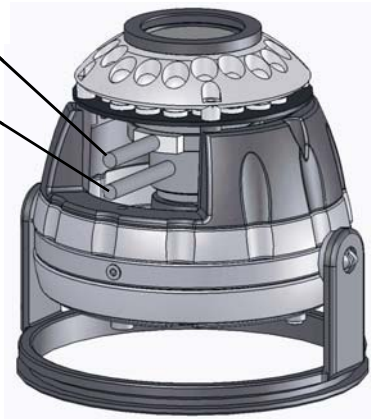
CAUTION :
Check for polarity when using a DC 12V power supply.

CAMERA SETTINGS

■ LENS ADJUSTMENT

B. Focus lever

A. Zoom Lever



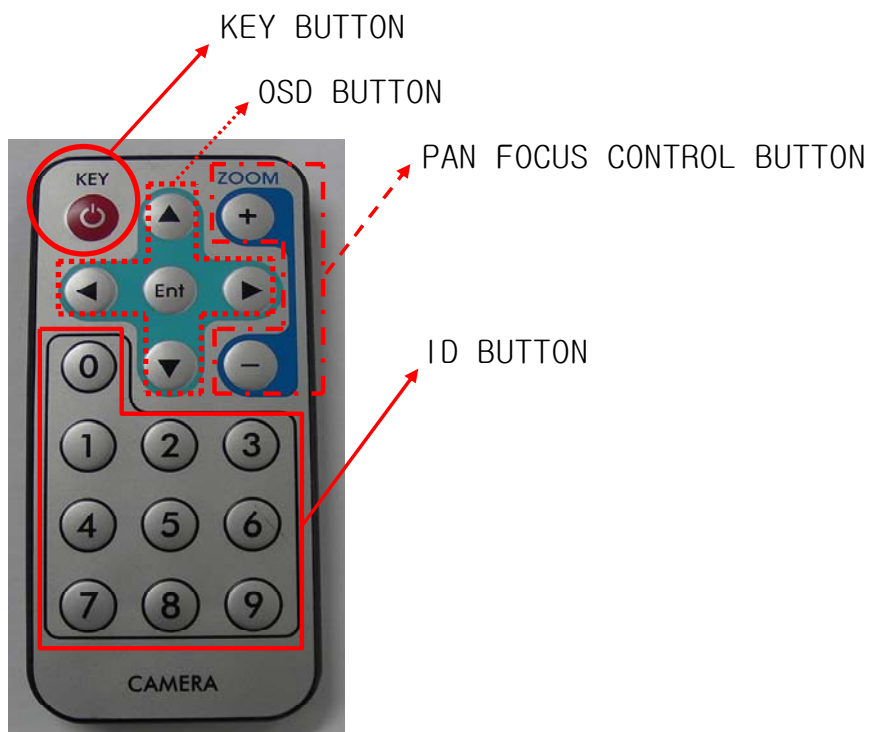
A. Set the zoom lever to the desired position by moving Zoom lever.

B. Set the Focus by moving Focus lever.

REMOTE CONTROL- D2372TIR Series [OPTIONAL]

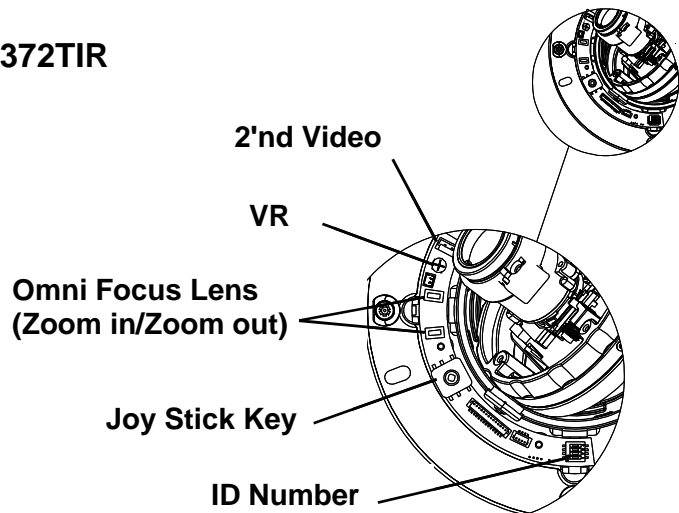
Omni-Focus Remote Control Instructions

1. Check the Dip switch (SW4) for camera ID (Default is 0)
2. Point the remote control towards the camera, then press and hold [0] until the Red LED light start flashing.
3. Press and hold the KEY button, until LED turns a solid RED.
4. Press the Plus sign (+) to ZOOM IN, Minus sign (-) to ZOOM OUT
5. Press the [ENT] button to enter the setup Menu and press [KEY] button to exit.



CAMERA SETTING FOR SIDE OSD CONTROL BOARD

D2372TIR



(1) Adjusting level volume (VR)

If the entire image is too dark or bright, or the backlight compensation is not correct even after LENS is set to "DC", you need to adjust the level volume.

CCW (Low)	Close the lens iris, making the entire image darker
CW(High)	Open the lens iris, making the entire image brighter

(2) Second Video Out Connector (2'ND VIDEO)

If installer uses a portable monitor, this connector should be connected.

(3) Omni Focus Lens

The focus is always set correctly during the change of angle of view.

Zoom In	The lens focal length goes to max 8.5mm
Zoom out	The lens focal length goes to max 2.9mm

(4) ID number

(※ 1,2,4,8(BCD code) means ID number, and ID contains 10 numbers from 0 to 9.)

OSD MENU SETTINGS - D2372TIR

SETUP	FUNCTION	SUMMARY
LENS	MANUAL,DC	- DC
SHUTTER	FIXED,MANUAL,FLK	- MANUAL : Manual shutter adjust.
BLC	ON,OFF	- BLC AREA - BLC RATIO
AGC	ON,OFF	- AGC GAIN: Min~ Max
WHITE BAL	ATW,AWB,FIXED,MANUAL	- MANUAL : RED,BLUE - FIXED : MODE 1,2,3,4
ADJUST	CONTRAST,SHARPNESS CB_GAIN,CR_GAIN	- CONTRAST adjust.
		- SHARPNESS adjust.
		- CB_GAIN adjust.
		- CR_GAIN adjust.
FUNCTION 		
CAMERA ID	ON,OFF	- CAMERA ID
		- POSITION
MIRROR	ON,OFF	- Mirror image on/off
DAY NIGHT	AUTO,B/W,COLOR	- AUTO: DELAY
		START LEVEL
		END LEVEL
MOTION	ON,OFF	- AREA
		- MOTION TH
		- MOTION TRACE ON/OFF
PRIVACY	ON.OFF	- AREA SEL
		- AREA STATE
GAMMA	USER, 0.05~1.0	- GAMMA set.
LANGUAGE	ENGLISH,Korean,Chinese1,Chinese 2,日本語	- Language set.
RESET	YES,NO	- Returns to the level
EXIT		- Save out

WARRANTY INFORMATION

Digital Watchdog (referred to as “the Warrantor”) warrants the Camera Series against defects in materials or workmanship as follows:

LABOR: For the initial five (5) years from the date of original purchase, if the camera is determined to be defective, the Warrantor will repair or replace the unit, with new or refurbished product at its option, at no charge.

PARTS: In addition, the Warrantor will supply replacement parts for the initial five (5) years.

To obtain warranty or out of warranty service, please contact a Technical Support Representative at **1-866-446-3595** Monday through Friday from 9:00 AM to 5:00 PM Eastern.

A purchase receipt or other proof of the date of the original purchase is required before warranty service is rendered. This warranty only covers failures due to defects in materials and workmanship which arise during normal use. This warranty does not cover damage which occurs in shipment or failures which are caused by products not supplied by the Warrantor or failures which result from accident, misuse, abuse, neglect, mishandling, misapplication, alteration, modification, faulty installation, set-up adjustments, improper antenna, inadequate signal pickup, maladjustment of consumer controls, improper operation, power line surge, improper voltage supply, lightning damage, rental use of the product or service by anyone other than an authorized repair facility or damage that is attributable to acts of God.

LIMITS AND EXCLUSIONS

There are no express warranties except as listed above. The Warrantor will not be liable for incidental or consequential damages (including, without limitation, damage to recording media) resulting from the use of these products, or arising out of any breach of the warranty. All express and implied warranties, including the warranties of merchantability and fitness for particular purpose, are limited to the applicable warranty period set forth above.

Some states do not allow the exclusion or limitation of incidental or consequential damages, or limitations on how long an implied warranty lasts, so the above exclusions or limitations may not apply to you. This warranty gives you specific legal rights and you may also have other rights that vary from state to state.

If the problem is not handled to your satisfaction, then write to the Address above.

Service calls which do not involve defective materials or workmanship as determined by the Warrantor, in its sole discretion, are not covered. Costs of such service calls are the responsibility of the purchaser.

Model No.	D2372TIR	
Camera TYPE	Color/BW	Plastic 18IR-LED Day/Night Digital Dome Camera
	Mount	Surface
Image	Device	Super HAD II CCD
	Size	1/3"
	Pixels-Total	811(H) x 508(V)
	Pixels-Effective	768(H) x 494(V)
Scanning	System	525 line, 2:1Interlace
	Horizontal Frequency Internal Mode	15,734Hz
	Vertical Frequency Internal Mode	59.94Hz
Min. Scene Illumination	IR-LED on	0 Lux
Functions	BLC	ON/OFF (Area Setting)
	AGC	ON/OFF (Gain Adjust)
	AWB	ATW / AWB / Fixed / Manual
	Mirror	ON/OFF
	Motion Detection	ON/OFF (Area / Sensitivity / Trace ON/OFF)
	Privacy Zone	4 Programmable Zone / Size
Lens	Focal Lenght	Omni Focus Lens [2.9 ~ 8.5mm (3x Optical)]
Resolution	Horizontal	540 TV Lines [at TDN (B/W) :570 TV Lines]
Video Output	VBS 1.0Vp-p	VBS 1.0Vp-p(75 Load)
S/N Ratio	S/N Ratio	48dB
OSD	OSD	YES
Environmental Conditions	Operating Temperature	-10℃ ~ +55℃(14°F ~ 131°F)
	Humidity	Less than 90%
Power	Power Requirement	12VDC / 24VAC
	Power Consumption	12VDC: 138mA (LED OFF), 423mA (LED ON) 24VDC: 152mA (LED OFF), 302mA (LED ON)
Physical Specification	Dimensions(φ x H)	134.9 x 110.3mm